

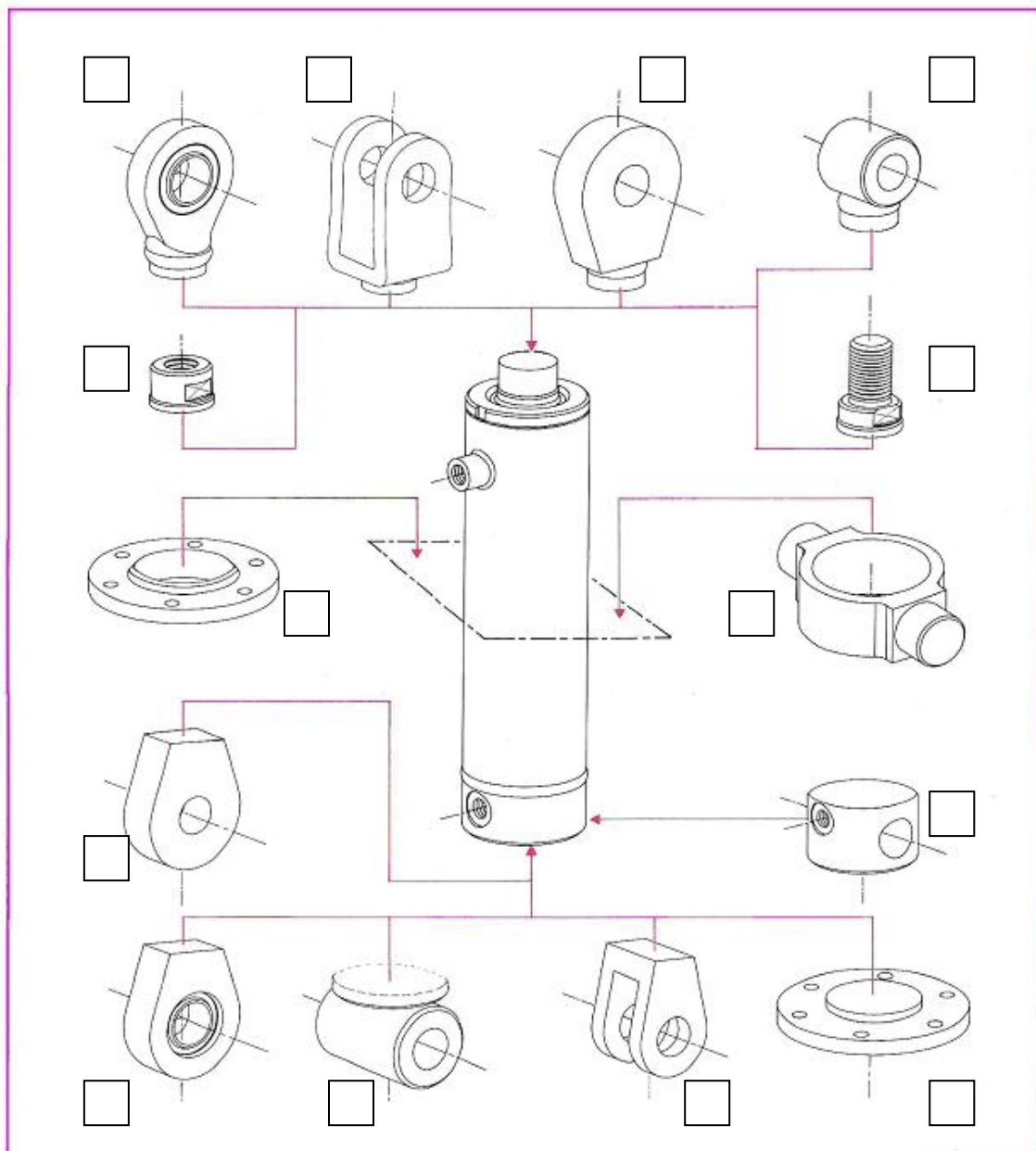
- hydraulic systems - cylinder & - components - intermediate products - machining - welding -

Company	
Department	
Project	
Person	
Phone	
Fax	
E-Mail	
Address	
WEB	

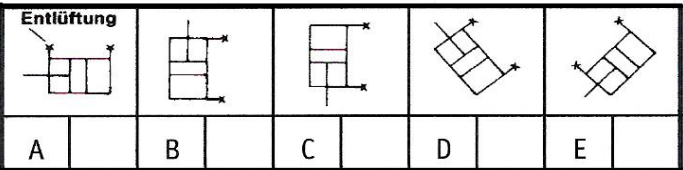
Ruhfus Systemhydraulik GmbH
 Büdericher Straße 7
 D-41460 Neuss
 Telefon +49 (2131) – 914 – 6
 Fax +49 (2131) – 914 – 820
 Email sales@ruhfus.com
 Internet <http://www.ruhfus.com>
 Our VAT Reg. No.: DE120689720

Application	
Quantity	

cylinder structure – modular concept :



operating data:

<input type="checkbox"/> Double acting <input type="checkbox"/> Single acting of pull <input type="checkbox"/> Single acting of push <input type="checkbox"/> Cushioning rod side & <input type="checkbox"/> Adjustable <input type="checkbox"/> Cushioning piston side & <input type="checkbox"/> Adjustable		cylinder mounting position 	
		max angle to vertical when retracted/extracted = ° / °	
stroke :	mm	piston-Ø :	mm
cylinder max force (without cylinder's own weight) :	pull: kN	rod-Ø :	mm
	push: kN	rod material :	
piston speed :	retraction: m/min (moving in)	surface coating on piston rod :	<input type="checkbox"/> hard chrome : <input type="checkbox"/> 25 µm <input type="checkbox"/> 50 µm <input type="checkbox"/> other :
	extraction: m/min (moving out)		<input type="checkbox"/> Ni /Cr : <input type="checkbox"/> 40 / 30 µm <input type="checkbox"/>/..... µm
any steady load on rod : (i.e. hanging mass)	kN		<input type="checkbox"/> ceramic : <input type="checkbox"/> 300 µm <input type="checkbox"/> other :
number of strokes / hour :			<input type="checkbox"/> nitrided :
ambient - temperature :	- °C to + °C		<input type="checkbox"/> others :
working pressure:	bar	Seals :	standard <input type="checkbox"/> (glydring piston / u-packing ring rod)
requested test pressure :	bar		<input type="checkbox"/> heavy-duty (chevron seal piston / rod)
measuring system :	<input type="checkbox"/> electrical output: <input type="checkbox"/> mechanical		<input type="checkbox"/> servo-construction (glydring-seals piston / rod)
	limit switches :		<input type="checkbox"/> needed, quantity: <input type="checkbox"/> not needed
service fluid :		<i>Telescopic cylinder</i> number of piston stages: stage – Ø outside ___ / ___ / ___ / ___ inside ___ / ___ / ___ / ___ other :	
hydraulic ports:	<input type="checkbox"/> inch thread		
	<input type="checkbox"/> metric thread		
	<input type="checkbox"/> SAE - connection		
annex:	<input type="checkbox"/> drawings <input type="checkbox"/> technical specifications <input type="checkbox"/> others:		
standards & extra requirements :			
comments (use extra page(s) if needed) :			

Note: Please complete a separate form for each different cylinder type